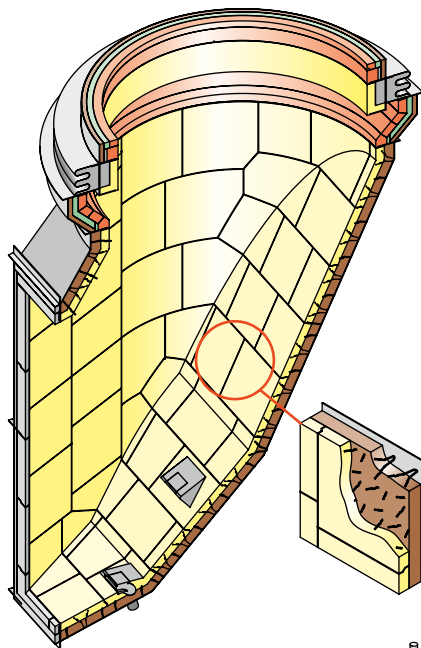
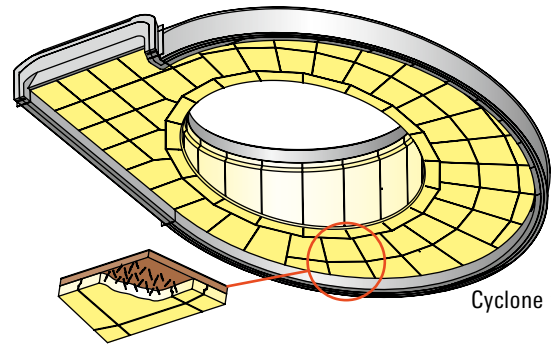


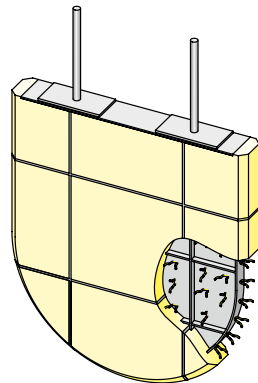
## Installation examples



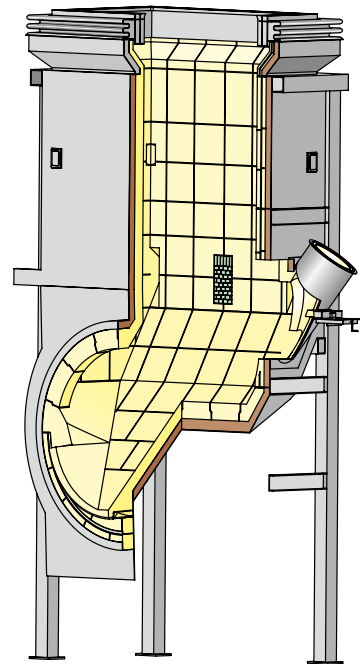
Elbow



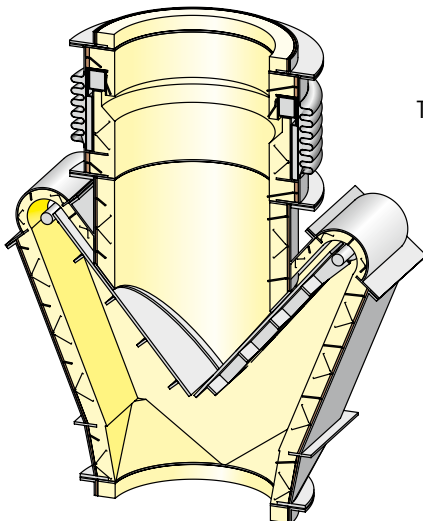
Cyclone roof



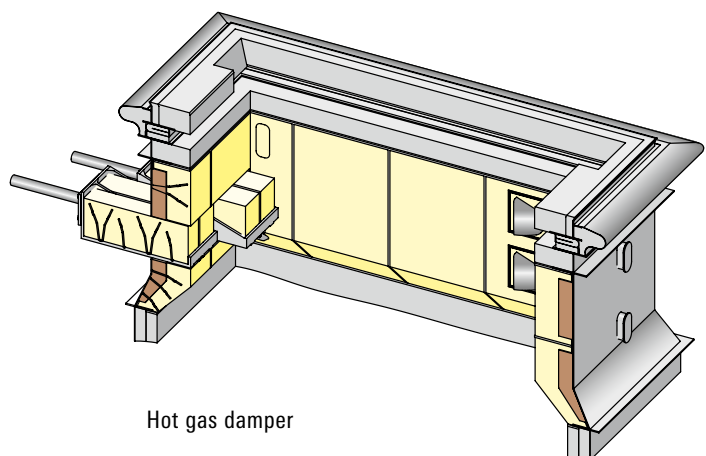
Tertiary air duct damper



Inlet chamber



Pendulum flap



Hot gas damper